

## Reliability

Day in, day out performance



# Scanhugger

The HT series of drum chippers is the product of more than 25 years of experience in developing and manufacturing machinery related to wood waste reduction and utilization.

Scanhugger equipment has been installed and serviced in woodworking plants all over the world.

The drum chipper is unique in its capability of processing solid wood slabs, rip edgings and cut-offs into a uniform chip.

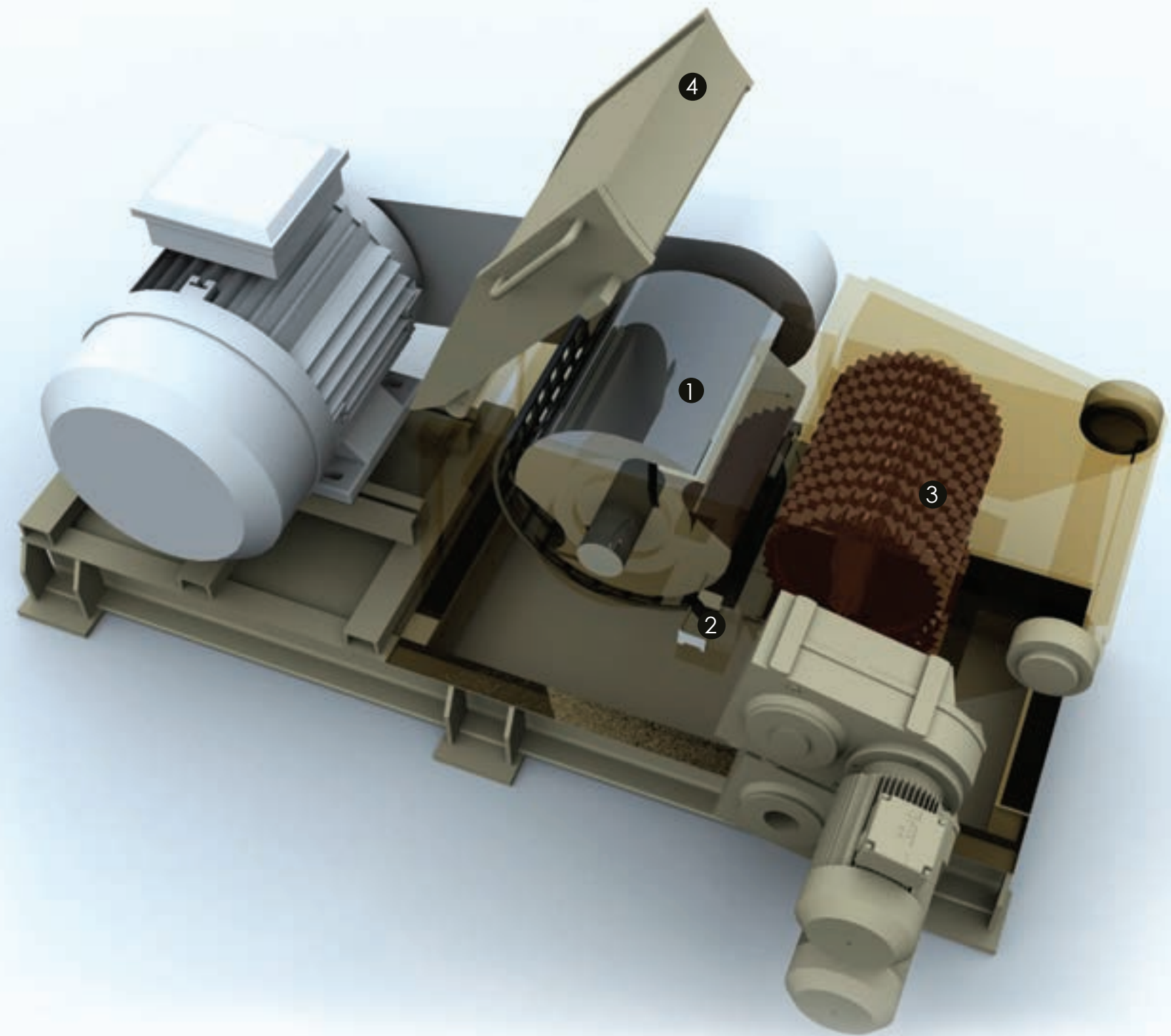
The HT chipper line-up, coupled with a full range of options and auxiliary equipment enables Scanhugger to build turn-key woodchipping systems. The range of Scanhugger auxiliary equipment includes:

Pneumatic discharge systems

Chip conveyor and auger discharge systems

Vibrating conveyors and vibrating tables

Metal detection and metal separation systems



**[ 1 ] Rotor/knife:** The rotor is a solid steel drum , precision machined to produce the requested chip size. The straight knives are mounted with a special wedge system that while utilizing the flywheel effect of the rotor , lock and secure the knives.

**[ 2 ] Counterknife:** The counterknife support is divided into 2 parts; a stationary support locked in place, and a removable part to which the actual counterknife is mounted. This construction forms a precision seat for the counterknife and allows for easy removal of the counterknife.

**[ 3 ] Infeed rollers:** Machined and surface hardened "pineapple style" infeed rollers stop when the rotor reaches its maximum load. As the load decreases, the feed works starts up again. This start/stop sequence eliminates overloads of the rotor.

**[ 4 ]** The rugged, heavy duty main frame and rotor along with the chrome nickel shaft and oversized roller bearings, are engineered to accomodate the heavy shock loads typical of drum chippers.



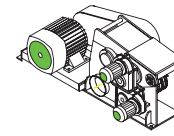
surface hardened infeed rollers



Seven models offered to match your needs:

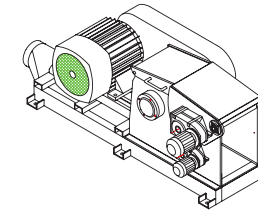
**HT 30/25/2**

Infeed opening: 2" x 12"  
 Rotor diameter: Ø 10"  
 Motor: 20-25 HP  
 Capacity: 700-1,400 lbs. hr



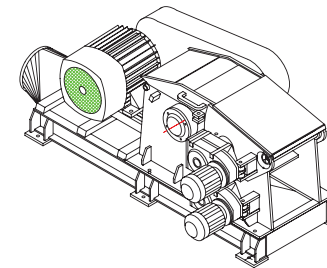
**HT 35/30/2**

Infeed opening: 3" x 12"  
 Rotor diameter: Ø 12"  
 Motor: 25-50HP  
 Capacity: 800-3,000 lbs. hr



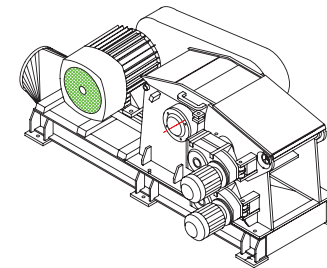
**HT 55/30/2**

Infeed opening: 3" x 20"  
 Rotor diameter: Ø 12"  
 Motor: 30.50HP  
 Capacity: 1,000-4,000 lbs. hr



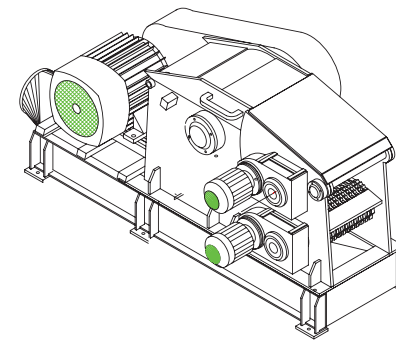
**HT 45/45/2**

Infeed opening: 4" x 17"  
 Rotor diameter: Ø 18"  
 Motor: 60-75 HP  
 Capacity: 1,500-7,000 lbs. hr



**HT 65/45/2**

Infeed opening: 4" x 24"  
 Rotor diameter: Ø 18"  
 Motor: 60-100 HP  
 Capacity: 1,500-7,500 lbs. hr



**HT 55/60/4**

Infeed opening: 7" x 20"  
 Rotor diameter: Ø 26"  
 Motor: 75-150HP  
 Capacity: 1,500-8,500lbs. hr

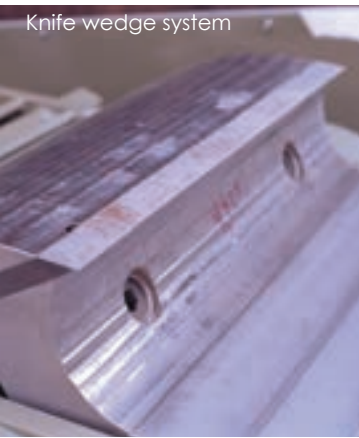
**HT 75/60/4**

Infeed opening: 7" x 29"  
 Rotor diameter: Ø 26"  
 Motor: 75-150 HP  
 Capacity: 3,000-12,000 lbs. hr

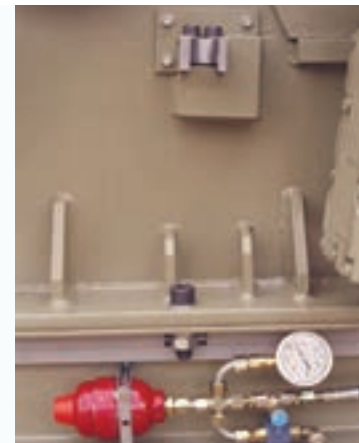
SCANHUGGER is the ideal choice for wood waste utilization systems

distributed by :

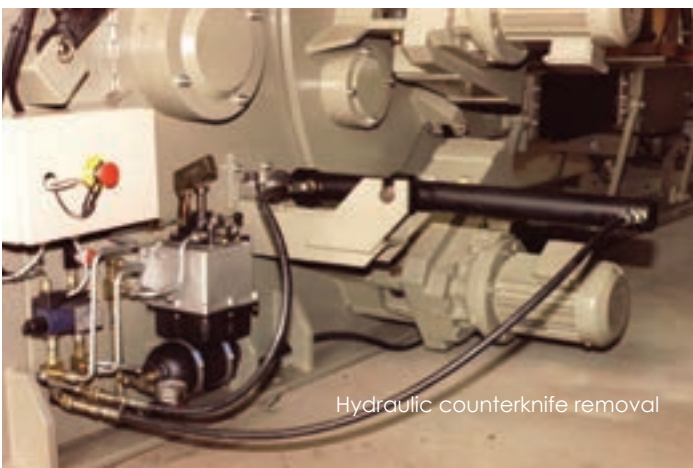
Knife wedge system



two part counterknife support



Hydraulic counterknife removal



**HT Series Drum Chipper**  
 Quality in a class of its own



JW Industri A/S Smedevej 7, DK-7430 Ikast, Denmark  
 Tel:-45 9725 1516 Fax: +45 9715 6411  
 info@scanhugger.com - www.scanhugger.com